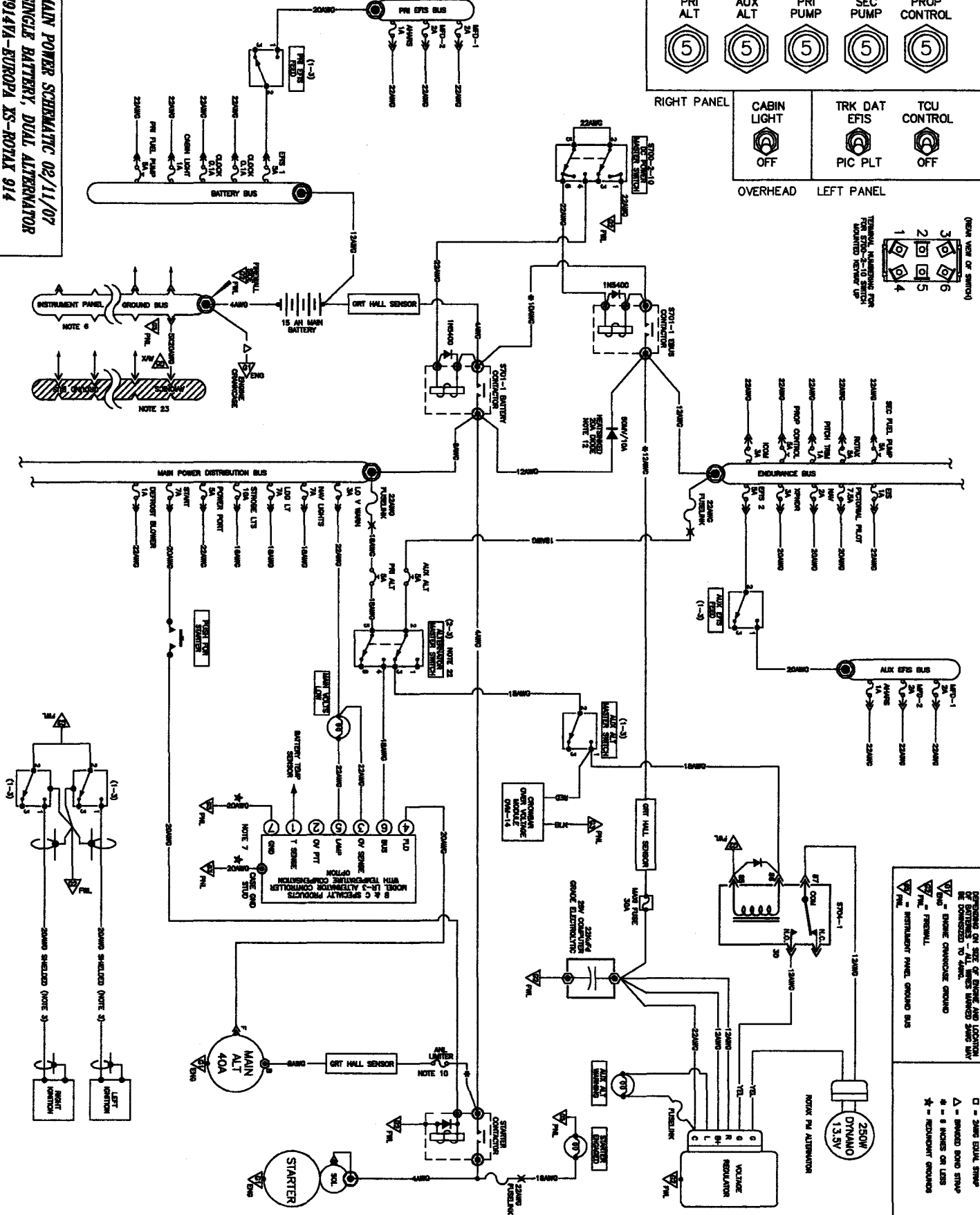
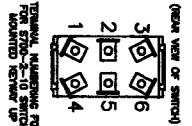
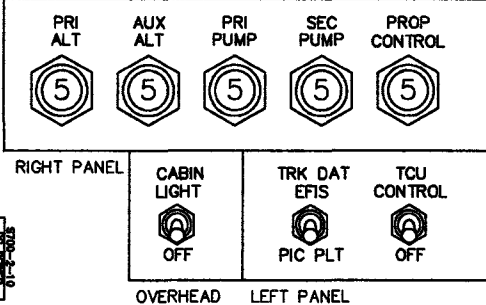


MAIN POWER SCHEMATIC 02/11/07  
 SINGLE BATTERY, DUAL ALTERNATOR  
 N914YA-EUROPA XS-ROTX 914

SWITCH PANEL



DEPENDENT ON SIZE OF ENGINE AND LOCATION OF SWITCHES - ALL WIRES SHOWN SHAW MAY BE CONNECTED TO WIRE

△ - BRASS BOND STRAP

□ - 8 INCHES OR LESS

\* - REDUCED GROUNDS

□ - 250V DYNAMO

△ - 13.5V

NOTE: PM ALTERNATOR

VOLTAGE REGULATOR

1 2 3 4 5 6 7 8 9 10 11 12 13 14 15 16 17 18 19 20 21 22 23 24 25 26 27 28 29 30 31 32 33 34 35 36 37 38 39 40 41 42 43 44 45 46 47 48 49 50 51 52 53 54 55 56 57 58 59 60 61 62 63 64 65 66 67 68 69 70 71 72 73 74 75 76 77 78 79 80 81 82 83 84 85 86 87 88 89 90 91 92 93 94 95 96 97 98 99 100