

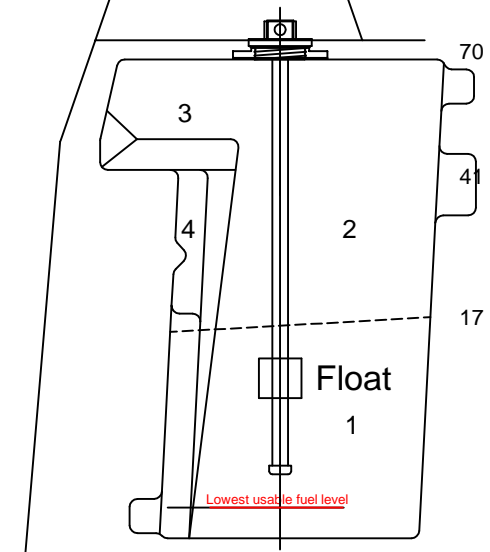
Europa confirm the tank is
MDPE and flourine treated
(Dec 2010)

Tank Volume

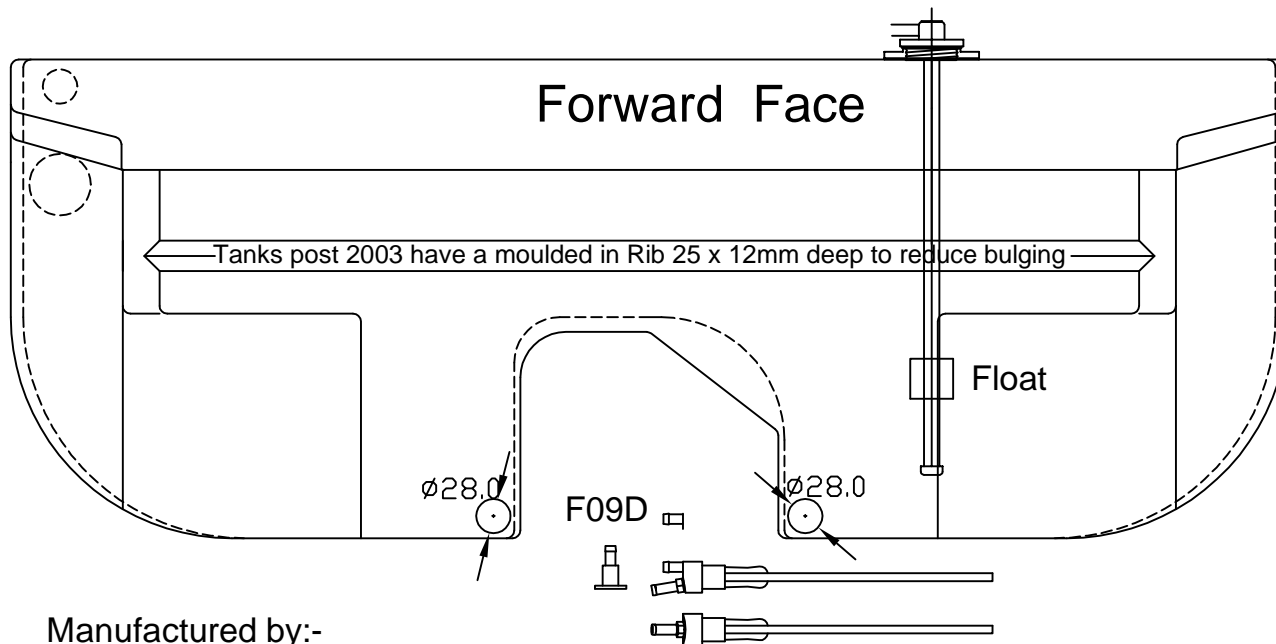
AREAS	VOLUMES
1 38.5 x 28 = 1078 (2 x res)	17.68 ltr
2 24.75 x 38 = 940.5	15.42 ltr
3 46.25 X 38 = 1757.5	28.82 ltr
4 9.00 x 34 = 306 cu.in.	5.018 ltr.
16.4 cc per cu.in	TOTAL 67.0 ltrs.
	RESERVE 8.85 ltrs

S3 type Fuel Gauge (Mod 60)

New version has 16 gauge positions)
Lenght 350mm (375mm is available on special
volume order only)



350mm
375mm
375mm is speci
volume order on



Manufactured by:-
Flourine treated by:- Bettix Ltd, Lever Street, Bolton, BL3 6NZ (Tel 01204 526241)

TANK DRAWING
I. F. Rickard 06/09/2011