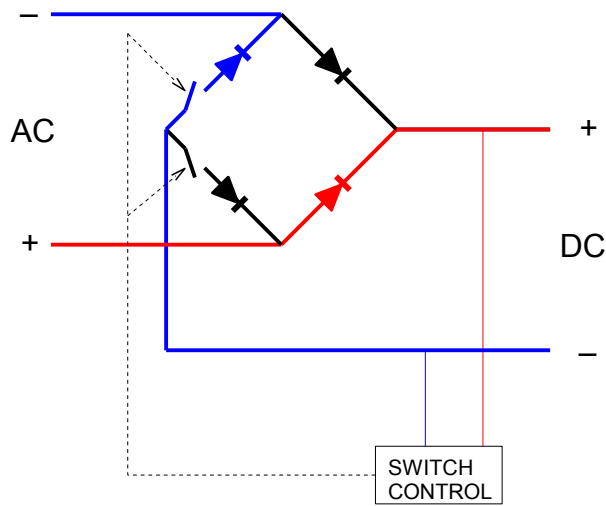


AC phase 1 of 2  
 current through 1 thyristor and 1 diode  
 thyristor conducts part time



AC phase 2 of 2  
 current through 1 thyristor and 1 diode  
 thyristor conducts part time

the negative DC terminal is connected to aircraft ground  
 this has no bearing on the principle of operation