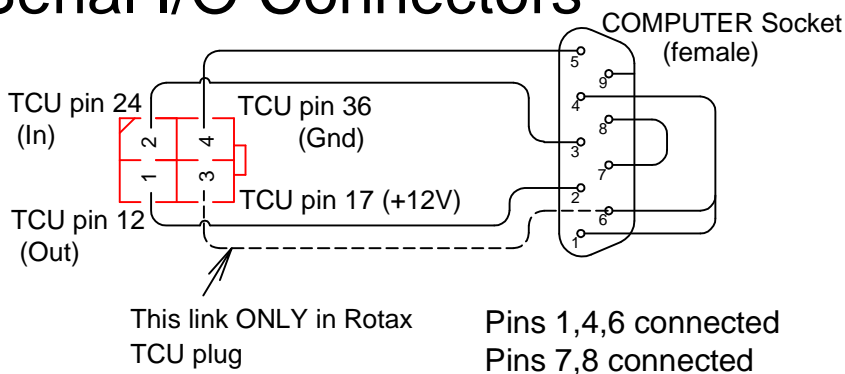
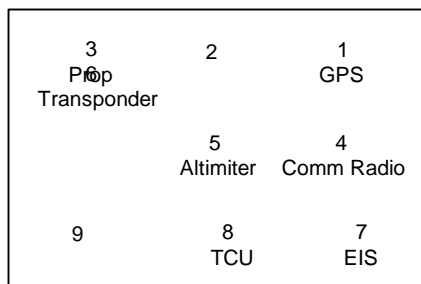


Serial I/O Connectors



- 1 Carrier detect (in)
 - 2 Data Receive (in)
 - 3 Data Transmit (out)
 - 4 Data term'l Ready (out)
 - 5 Ground
 - 6 Data set ready (in)
 - 7 Req. to send (out)
 - 8 Clear to send (in)
 - 9 Ring indicator
- (So 4 (out) sets 1 & 6 high)
 (7 (out) sets 8 high)

Serial I/O Panel layout



All coms are 8 bit, 1 stop, No parity

- 1) Skymap IIIc is NMEA 4800 Baud (set to match ADI Pilot 1)
- 3) Prop is 19,200 Baud
- 4) Comm Radio is 9600 Baud
- 5) Altimeter is 9600 Baud, out every 0.6 seconds
- 6) Transponder is 9600 Baud repeat of input
- 7) EIS is NOT ENABLED
- 8) TCU is 4800 Baud
- (Garmin eTrex is 4800), (KMD150 GPS is 9600)