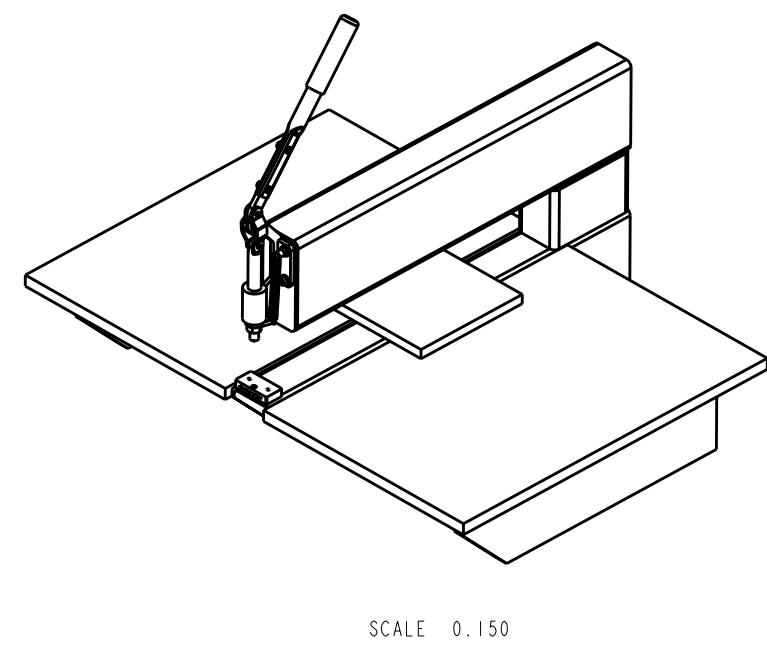
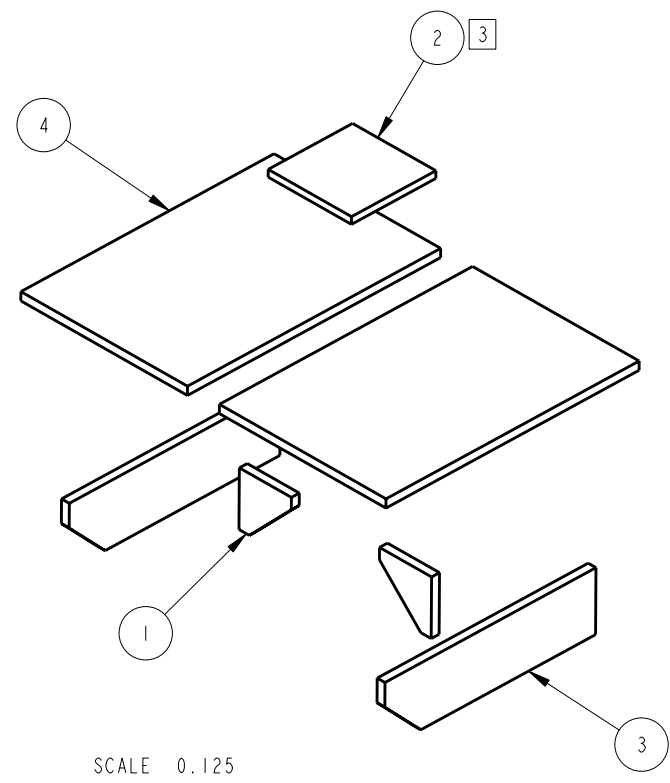
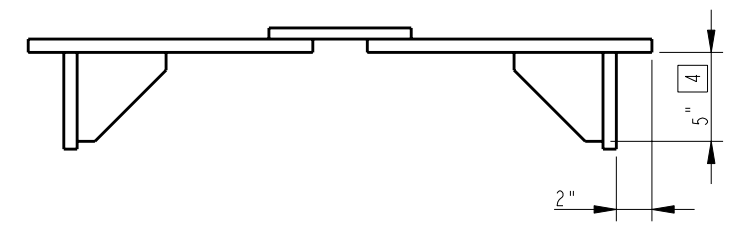
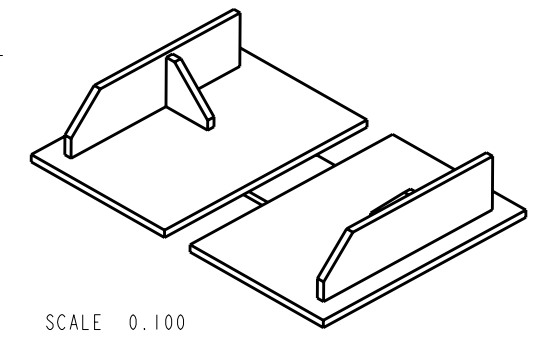
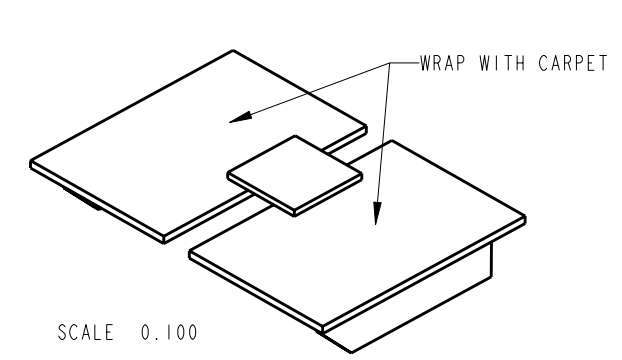
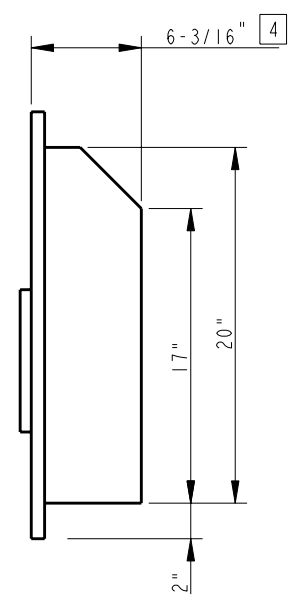
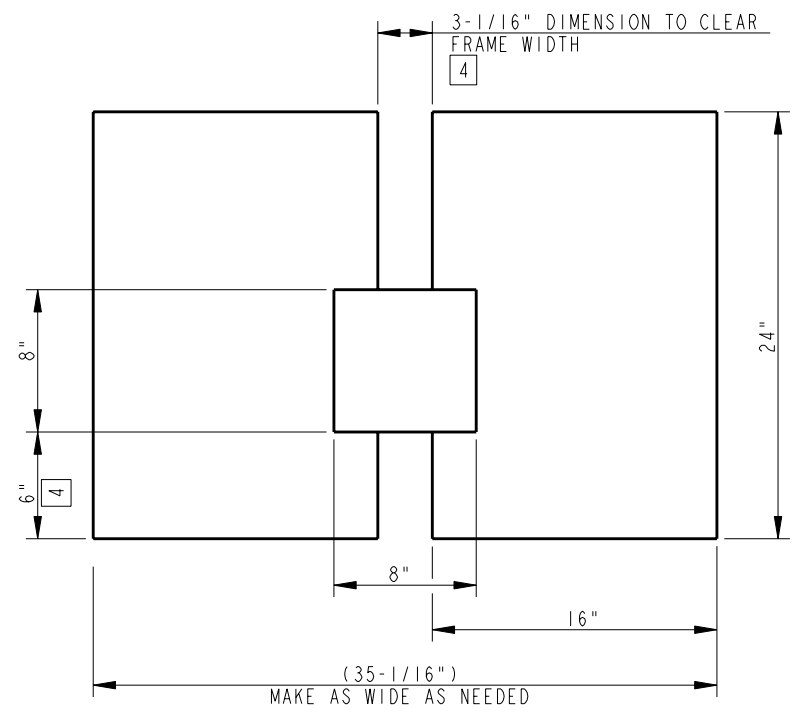


REVISION HISTORY			
REV	DESCRIPTION	DATE	APPROVED
00	INITIAL RELEASE	02/08/04	P.MEREMS



NOTES: UNLESS OTHERWISE SPECIFIED

- 7. PLATFORM DIMENSIONS SHOWN FOR 6"X3" STRUCTURAL STEEL FRAME.
- 4 DIMENSION MAY NEED TO BE MODIFIED TO FIT FRAME . MEASURE THE FRAME PRIOR TO BUILDING THE PLATFORM.
- 3 MATERIAL: 5/8" PARTICLE BOARD
- 2. GLUE AND SCREW COMPONENTS TOGETHER.
- 1. MATERIAL: 5/8" OR 3/4" PARTICLE BOARD

ITEM	QTY	PART NUMBER	DESCRIPTION
4	2	TOP	TOP, DRDT-2 PLATFORM, 3/4"X16"X24"
3	2	SIDE	SIDE, DRDT-2 PLATFORM, 3/4"X5 1/4"X20"
2	1	BRIDGE	BRIDGE, DRDT-2 PLATFORM, 5/8"X8"X8"
1	2	BRACE	BRACE, DRDT-2 PLATFORM, 3/4"X5"X5"

DIMENSIONS INCHES		ExperimentalAero www.experimentalaero.com 12351 E. LOU BOCK PL. TUCSON, AZ 85749 TEL: (520) 760-7115 EMAIL: INFO@EXPERIMENTALAERO.COM	
TOLERANCES (EXCEPT AS NOTED)			
.XX ± .010		PLATFORM, DRDT-2	
.XXX ± .005			
.XXXX ± .0005			
ANG ± 0°30'		THIRD ANGLE PROJECTION	
MATERIAL: LISTED		SIZE A2	DWG NO DRDT-2_PLATFORM
FINISH: N/A		SCALE: 0.15	REV 00
DRAWN BY: P.MEREMS		SHEET 1 OF 1	

PROPRIETARY RIGHTS ARE INCLUDED IN ALL THE INFORMATION DISCLOSED HEREIN. THIS INFORMATION IS SUBMITTED IN CONFIDENCE, AND NEITHER THIS DOCUMENT NOR THE INFORMATION DISCLOSED HEREIN SHALL BE REPRODUCED OR TRANSFERRED TO ANY OTHER DOCUMENTS, NOR SHALL IT BE USED OR DISCLOSED TO ANY PERSONS FOR MANUFACTURING OR ANY OTHER REASONS EXCEPT AS SPECIFICALLY AUTHORIZED IN WRITING BY EXPERIMENTALAERO. COPYRIGHT 2003 EXPERIMENTALAERO

DWG NO DRDT-2_PLATFORM
 SH 1
 REV 00